

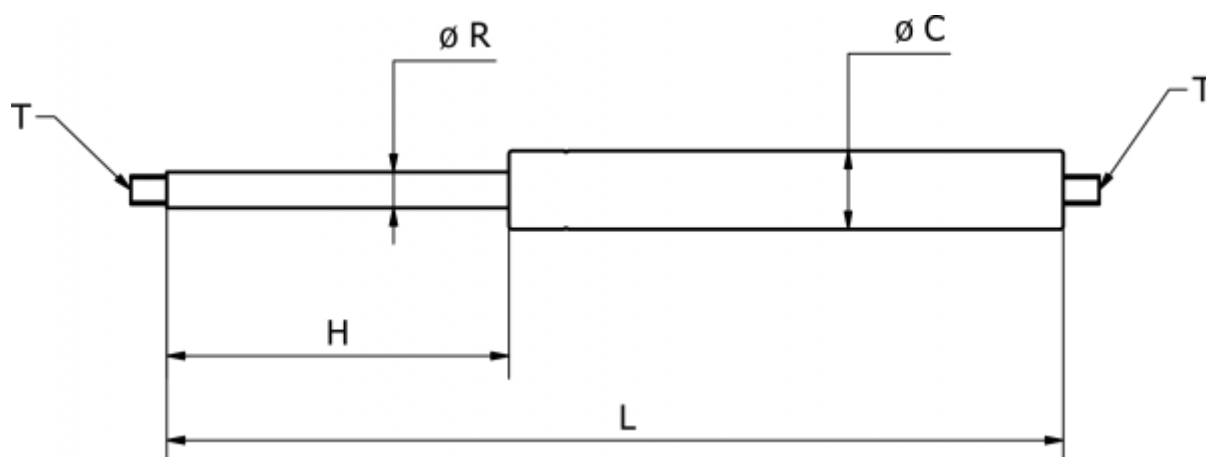
# Data Sheet



Article number: 04H081900800050

Description: Stabilus IndustryLine gas spring size 08/19  
50N length 205mm, stroke 80mm Type 04H081950V2V2

## Measures



C = 19

H = 80

L = 205

R = 8

T = M8 x 10